

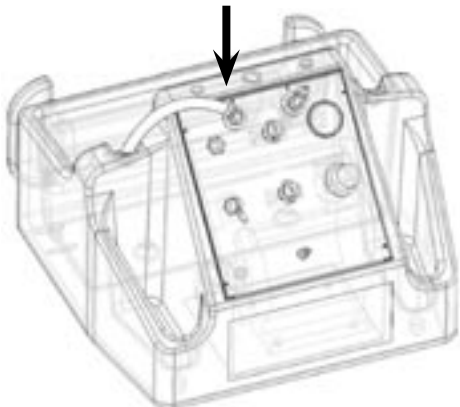
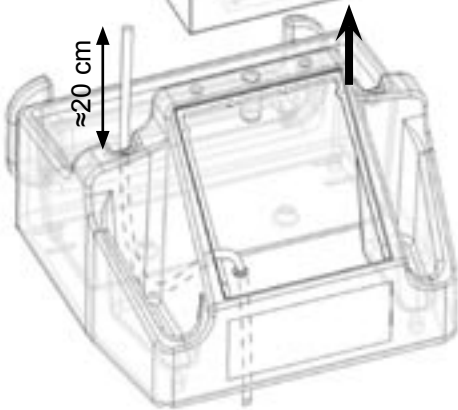
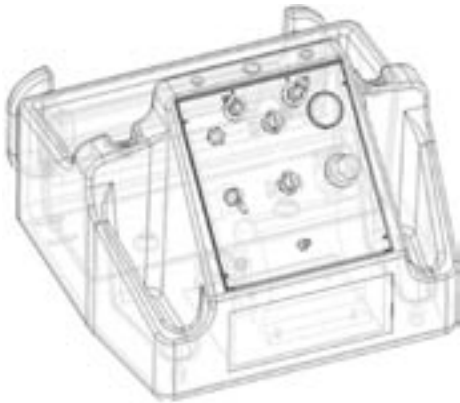
Brake Bleeder

DrainTwin „portable“ 5lt

DrainTwin „caddy“ 5lt

DrainTwin „cart“

Additional assembly instructions for the Drain Twin unit



To prevent the hose from being kinked during transportation, the following steps must be finalized:

(The following instruction should be followed if you are to use the canister underneath for **NEW** brake fluid. If you would like to use the canister underneath for **WASTE**, the instruction should be read reversed, i.e. through the **RIGHT** upper hole and connected to “**OLD**”.)

1. Remove the panel from the red plastic unit by unscrewing the two screws.
2. Drag the included hose according to the picture, through the **LEFT** upper hole. Be careful not kinking the hose.
3. Put the panel back inside the red plastic unit and fasten it via the six screws.
4. Fasten the hose on the fitting marked “**NEW**”.
5. Fasten the hose underneath the red plastic unit to the suction probe (not included in the picture).