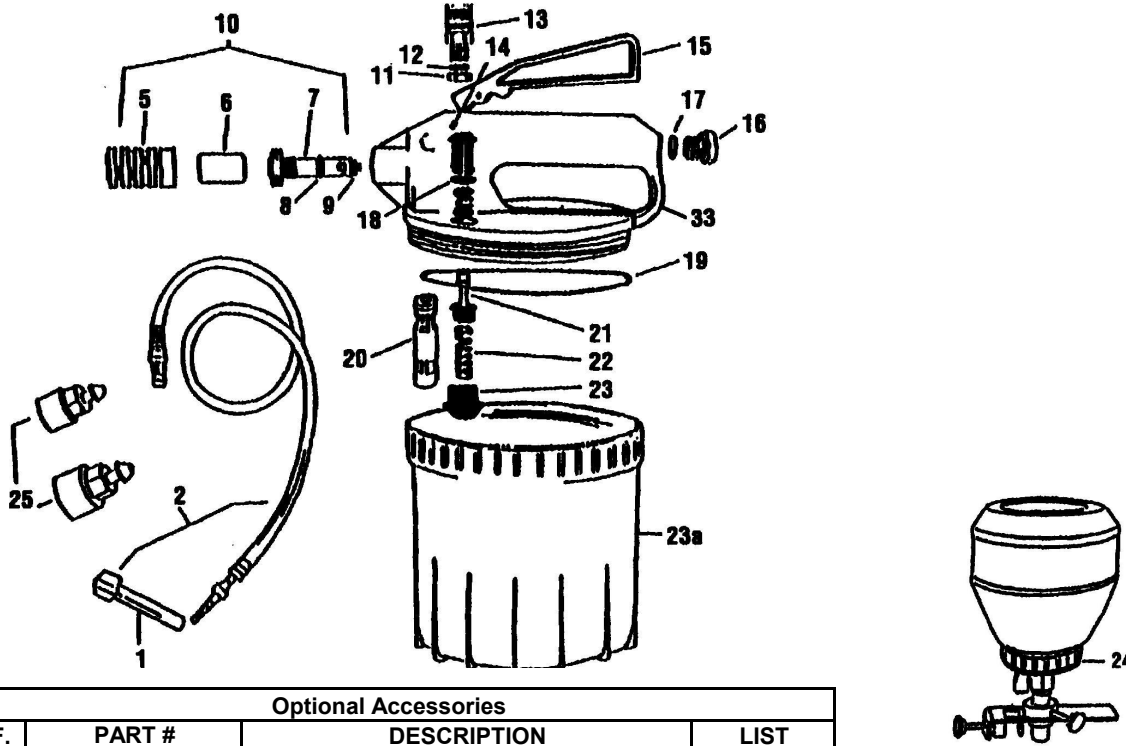


18-0051 and 18-9961 Vacula Classic Brake Bleeder

Replacement Parts			
REF.	PART #	DESCRIPTION	LIST
1	12-018-0900*	Universal bleeder fitting	\$8.56
2	12-018-0103	Vacuum hose with fitting	\$27.10
5	09-018-1901	Silencer guard	\$21.79
6	09-018-1902*	Silencer element	\$6.50
7	Included in 10	Venturi assembly	N.A.
8	Included in kit*	O-ring	N.A.
9	Included in kit*	O-ring	N.A.
10	12-018-7001	Silencer/venturi complete	\$46.38
11	09-018-0800	Nut	\$3.24
12	09-327-2820*	O-ring	\$0.91
13	10-221-1252	Quick coupling	\$18.54
14	09-018-4500	Split pin	\$4.07
15	09-018-1500	Lever	\$8.26
16	09-018-1402	Bushing	\$3.66
17	Included in kit*	O-ring	N.A.
18	12-018-0926*	Relief valve o-ring	\$5.67
19	09-018-5409*	Canister seal	\$5.14
20	09-018-9000	Overflow valve assembly	\$7.69
21	Included in kit*	Valve	N.A.
22	09-204-3201	Spring	\$1.18
23	09-204-0700	Valve spring cap	\$1.18
23a	09-018-7001	Canister	\$49.54
33	09-015-7007	Canister head/no hardware	\$80.61
	12-018-0931	Canister head, complete	\$183.40
	12-018-7000	Overhaul kit (contains all * parts)	\$19.20



Optional Accessories			
REF.	PART #	DESCRIPTION	LIST
24	18-0200	Mark III refiller (optional)	\$102.91
25	12-018-0294	"GM" adapter set	\$24.31